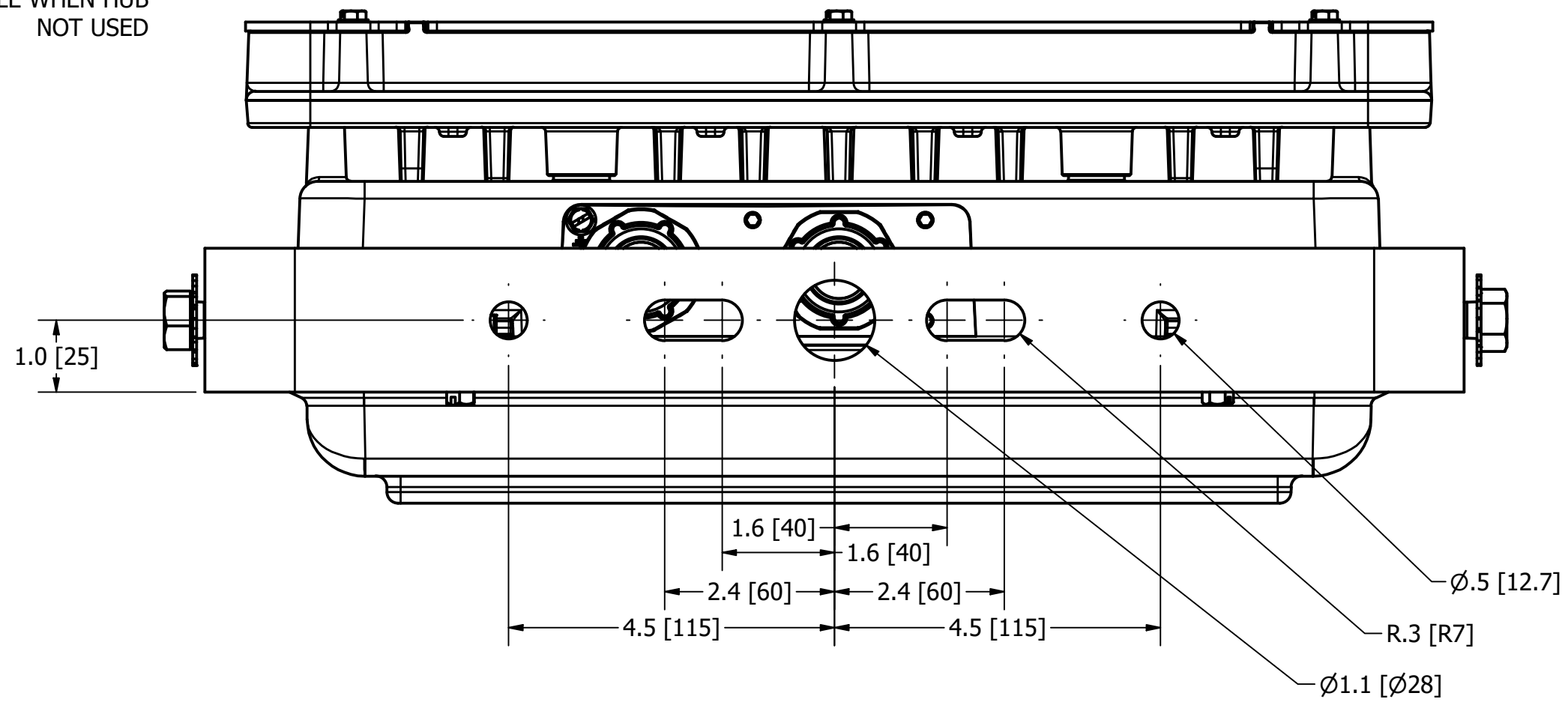



3/4" NPT ENTRY
WHEN INSTALLED
M25 CABLE GLAND
HOLE WHEN HUB
NOT USED



THIS IS A COMPUTER GENERATED DRAWING. DO NOT ALTER. CHANGES ALLOWED ONLY TO COMPUTER MODEL.

DO NOT SCALE THIS DRAWING			P/N	
TOLERANCES FRACTIONAL DIMENSIONS ± 1/32" 2 PLACE DECIMAL DIMENSIONS ± .01 3 PLACE DECIMAL DIMENSIONS ± .005 ANGULAR DIMENSIONS ± .5°			 <small>THIS DOCUMENT IS THE PROPERTY OF KILLARK. IT IS LOANED TO YOU AND MUST NOT BE USED IN ANY WAY DETRIMENTAL TO THE INTEREST OF KILLARK.</small>	
			DESCRIPTION: OUTLINE DRAWING KFL	
G	N	U	DR. BY: rlazalier 7/11/2018	
F	M	T	REL PROD:	
E	L	S	CK. BY:	
D	K	R	REL TOOL:	
C	J	Q	SCALE: NA	
B	I	P	REL DES:	
A	H	O	MATERIAL:	
LET	CHG. NOT. NO.	LET	CHG. NOT. NO.	PROJECT NO:
			REL PROD: 51412	
			REL TOOL:	
			REL DES:	
			MATERIAL:	
			PROJECT NO:	
			SHEET OF	